



**HC FORKLIFT AMERICA CORPORATION**

**Company address:**  
10405-A Granite Street  
Charlotte, NC 28273

Toll Free: (888) 652-8395  
Phone: (980) 888-8335  
Fax: (980) 888-8336

[america@hcforklift.com](mailto:america@hcforklift.com)  
[www.hcforkliftamerica.com](http://www.hcforkliftamerica.com)



2021 VERSION 1 / COPYRIGHT 2021

HANGCHA GROUP CO., LTD. reserves the right to make any changes without notice concerning colors, equipment, or specifications detailed in this brochure, or to discontinue individual models. The colors of trucks, delivered may differ slightly from those in brochures.



## XF Series Box Car Special Forklift

with capacities of 8,000 to 12,000lbs

***Making Material Handling Easier***  
SINCE 1956





## CONCEPT

As a part of the XF series from Hangcha Group, the Box Car Special forklift adds a large capacity cushion tire truck to our full line of forklifts. This forklift was designed with a vertical counterweight to meet tight spaced, railroad car applications. The Box Car Special is also versatile enough to meet the demands of typical large capacity cushion forklifts or become a paper roll special by changing the mast to a paper roll clamp. This forklift also includes the latest advancements from Hangcha. These advancements include LED efficient lighting, a load-sensing hydraulic system, low-emission engine, noise/vibration control, and a new control system. This is the Box Car Special forklift from Hangcha Group.



### LED Light System and Environmentally-Friendly Materials



LED lights are used throughout the entire truck. The lights are energy efficient, have a longer service life, and offer a significant increase in performance.

Environmentally-friendly materials are also used throughout the truck to minimize environmental damage and impact.

### Large LCD Instrument Panel



The newly developed LCD instrument display has additional functions and offers more stable performance. Important information including the running status of the entire truck and a check engine light can be displayed. This allows the operator to easily understand the status of the truck for easy maintenance.



**61.8 INCHES**  
Short Wheelbase





### The Wide View Mast Offers Better Visibility

New type of steel channels and mast system of brand-new design are applied to increase visibility in front of the driver.



Low LPG Fuel Warning Indicator

### Maintenance Hatch with a Safety Latch

The maintenance hatch opens wide enough to provide easy serviceability of key components. The safety latch prevents the hatch from compromising operator safety when using the truck.

### Reliable Hydraulic System

The hydraulic system has a longer service life and an increase in efficiency thanks to the optimized hydraulic breather structure with a built-in return oil filter and the load-sensing hydraulic steering system.

### Optimized Cooling System

The cooling system has been designed to maximize cooling and increase the reliability of the engine when working under heavy loads. This system uses an aluminum radiator, independent oil cooler, optimized heat transfer channel and a dual-hole counterweight to increase cooling efficiency.

### The New Integrated Fuse Box

The next generation of integrated fuse box has been added to the truck. It offers a better layout, ease of service and maintenance, and is waterproof. The entire truck is also equipped with waterproof connectors to increase the electronics' reliability.



### Panoramic Rear View Mirror

The panoramic rear view mirror allows the operator to have wider rear visibility when operating the forklift.







**TOUGH TRUCKS**



**North American EPA Certified Engine**

The PSI 4.3L LPG engine is in compliance with North American EPA Standards. Although it meets these standards, the engine still has the power and torque to get the job done. This engine is also electronically controlled to increase the fuel economy and the reliability of the trucks.



**OKAMURA Transmission**

The world-renown OKAMURA transmission, with the Power Take-Off (PTO) feature, is used in our Box Car Special forklift. This transmission was chosen as apart of our forklift's design for its reliability. The gear pump is also extremely efficient.

**Ergonomic Design**

The small diameter, adjustable steering wheel, electro-hydraulic steering, and the combination switch increase the ease of operation and operator comfort substantially.



**Large Hand Grip**

The large hand grip on the overhead guard is designed to allow the operator to get in and out of the truck safer and easier.



**High-Strength Overhead Guard**

The overhead guard is fabricated with specially shaped steel tubes to increase its structural rigidity and strength. It is also designed to be easily disassembled and reassembled for repairs. The guard features a flexible connection between it and the chassis to decrease vibrations. All of these features are responsible for increasing operator safety and comfort.



**Steering Axle**

The steering axle uses large conical bearings on the master pin, buffer blocks, and a large-diameter steering cylinder to substantially increase the reliability and service life of the steering system.



## Standard Configuration

- / Traction Unit
- / Small Diameter Steering Wheel
- / Integrated Combination Switch
- / Extended Hand Grip
- / Adjustable Steering Wheel
- / Mechanical Parking Brake (with self-lock)
- / Suspension Seat with Safety Belt
- / Large Capacity Aluminum Radiator
- / Dynamic Load Sensing System
- / Suspension Integral Overhead Guard
- / Whirlwind High Efficiency Air Filter
- / Hydraulic Oil Suction Filter
- / Rain cover for the Overhead Guard
- / Safe Filter Element
- / Inclined Oil Way Latching Valve
- / Panoramic Rear View Mirror
- / Highly Efficient Exhaust Muffler
- / Hydraulic Oil Dipstick
- / Smooth Cushion Tire
- / Access/Exit Safe Step
- / Highly Efficiency LED Combination Front and Rear Lights
- / Large Rubber Pedal Pad
- / Full Floating Transmission
- / Maintenance-Free Battery
- / Transmission Oil Filter
- / Hydraulic Oil Return Filter
- / Combined LCD Displays
- / Gearbox Dipstick
- / Maintenance Hatch Spring
- / Integrated Controller
- / Gearbox Oil Cooler
- / Clipboard
- / Alarm Light
- / Non-Asbestos Brakes
- / Electro-Hydraulic Steering
- / Charging Reminder
- / Suspended Operation Pedal
- / Oil Gauge
- / Water Thermometer
- / Cup Holder
- / Preheating Indication
- / Limited Free Lift 2 Stage Mast
- / Charge Indication
- / Standard Fork
- / Timer
- / Standard Carriage
- / Engine Oil Pressure Alarm
- / Standard Back Rest
- / Gearbox Oil Temperature Alarm
- / Maintenance Reminder
- / Load Safety Valve
- / Horn
- / Soft Landing System
- / Reverse Buzzer
- / Mast Lifting Buffer Device
- / Tilt Piston Rod Jacket
- / Fan Protector
- / Rear Grip with Horn Button
- / Front Acoustic Hood of Steering Wheels
- / Low LPG Fuel Warning Indicator
- / Soundproof Pad on Maintenance Hatch
- / Swing-Out LP Bracket
- / Operator Presence Sensing System (OPS)

## Options

- / Customizable Paint Colors
- / LED Rear Work Light
- / Auxiliary Hydraulic Valve Group
- / LED Rear Working Light
- / Fire Extinguisher
- / High-Low Overhead Guard
- / Radiator Screen
- / Pre-Cleaner
- / Blue Light
- / Counterweight Grill
- / Swing-Down LP Bracket
- / Traction Tires
- / Non-Marking Cushion Tires
- / Paper Roll Clamp
- / Sideshift & Fork Positioner
- / Wider Carriage
- / Various Specialty Attachments
- / Specialty Forks
- / Belly Pan



## 8000lbs XF Series Mast:

Type	Model	Max. Fork Height	Overall Height				Free Lift		Front Overhang	Tilt Range F/R	Capacity
			Lowered	Extended		Without Backrest	With Backrest	Load Capacity at 24 in (600mm)			
				Without Backrest	With Backrest						lb(kg)
		in (mm)	in (mm)	in (mm)	in (mm)	in (mm)	in (mm)	in (mm)	(°)	8000lb(3.5t)	
Limited Free Lift 2 Stage Mast	XBC35M250	98.4(2500)	76.4(1940)	130.5(3315)	146.7(3725)	4.3(110)	4.3(110)	17.7(450)	5/6	8000(3500)	
	XBC35M280	110.2(2800)	82.3(2090)	142.3(3615)	158.5(4025)	4.3(110)	4.3(110)	17.7(450)	5/6	8000(3500)	
	XBC35M300	118.1(3000)	86.2(2190)	150.2(3815)	166.3(4225)	4.3(110)	4.3(110)	17.7(450)	5/6	8000(3500)	
	XBC35M330	129.9(3300)	95.3(2420)	162(4115)	178.1(4525)	4.3(110)	4.3(110)	17.7(450)	5/6	8000(3500)	
	XBC35M340	133.9(3400)	97.2(2470)	165.9(4215)	182.1(4625)	4.3(110)	4.3(110)	17.7(450)	5/6	8000(3500)	
	XBC35M350	137.8(3500)	99.2(2520)	169.9(4315)	186(4725)	4.3(110)	4.3(110)	17.7(450)	5/6	8000(3500)	
	XBC35M370	145.7(3700)	103.1(2620)	177.8(4515)	193.9(4925)	4.3(110)	4.3(110)	17.7(450)	5/6	8000(3500)	
	XBC35M400	157.5(4000)	109.1(2770)	189.6(4815)	205.7(5225)	4.3(110)	4.3(110)	17.7(450)	5/6	8000(3500)	
Full Free Lift 3 Stage Mast	XBC35N400	157.5(4000)	78.9(2005)	189(4800)	205.7(5225)	47.4(1205)	30.7(780)	19.3(490)	5/6	8000(3500)	
	XBC35N430	169.3(4300)	82.9(2105)	200.8(5100)	217.5(5525)	51.4(1305)	34.6(880)	19.3(490)	5/6	7900(3500)	
	XBC35N450	177.2(4500)	85.4(2170)	208.7(5300)	225.4(5725)	53.9(1370)	37.2(945)	19.3(490)	5/6	7800(3500)	
	XBC35N470	185(4700)	88(2235)	216.5(5500)	233.3(5925)	56.5(1435)	39.8(1010)	19.3(490)	5/6	7750(3500)	
	XBC35N480	189(4800)	90(2285)	220.5(5600)	237.2(6025)	58.5(1485)	41.7(1060)	19.3(490)	5/6	7700(3500)	
	XBC35N500	196.9(5000)	94.5(2400)	228.3(5800)	245.1(6225)	63(1600)	46.3(1175)	19.3(490)	5/6	7590(3450)	
	XBC35N530	208.7(5300)	98.4(2500)	240.2(6100)	256.9(6525)	66.9(1700)	50.2(1275)	19.3(490)	5/6	7370(3350)	
	XBC35N550	216.5(5500)	102.4(2600)	251.2(6380)	264.8(6725)	70.9(1800)	54.1(1375)	19.3(490)	5/6	7260(3300)	
	XBC35N600	236.2(6000)	108.3(2750)	273(6935)	284.4(7225)	80.9(2055)	64.2(1630)	19.3(490)	5/6	6600(3000)	

With sideshifter minus 550lb(250kg),with integral sideshifter minus 330lb(150kg)

## 10000lbs XF Series Mast:

Type	Model	Max. Fork Height	Overall height				Free Lift		Front Overhang	Tilt Range F/R	Capacity
			Lowered	Extended		Without Backrest	With Backrest	Load Capacity at 24 in (600mm)			
				Without Backrest	With Backrest						lb(kg)
		in (mm)	in (mm)	in (mm)	in (mm)	in (mm)	in (mm)	in (mm)	(°)	10000lb(4.5t)	
Limited Free Lift 2 Stage Mast	XBC45M250	98.4(2500)	76.4(1940)	130.5(3315)	146.7(3725)	4.3(110)	4.3(110)	18.1(460)	5/6	10000(4500)	
	XBC45M280	110.2(2800)	82.3(2090)	142.3(3615)	158.5(4025)	4.3(110)	4.3(110)	18.1(460)	5/6	10000(4500)	
	XBC45M300	118.1(3000)	86.2(2190)	150.2(3815)	166.3(4225)	4.3(110)	4.3(110)	18.1(460)	5/6	10000(4500)	
	XBC45M330	129.9(3300)	95.3(2420)	162(4115)	178.1(4525)	4.3(110)	4.3(110)	18.1(460)	5/6	10000(4500)	
	XBC45M340	133.9(3400)	97.2(2470)	165.9(4215)	182.1(4625)	4.3(110)	4.3(110)	18.1(460)	5/6	10000(4500)	
	XBC45M350	137.8(3500)	99.2(2520)	169.9(4315)	186(4725)	4.3(110)	4.3(110)	18.1(460)	5/6	10000(4500)	
	XBC45M370	145.7(3700)	103.1(2620)	177.8(4515)	193.9(4925)	4.3(110)	4.3(110)	18.1(460)	5/6	10000(4500)	
	XBC45M400	157.5(4000)	109.1(2770)	189.6(4815)	205.7(5225)	4.3(110)	4.3(110)	18.1(460)	5/6	10000(4500)	
Full Free Lift 3 Stage Mast	XBC45N400	157.5(4000)	82.1(2085)	189(4800)	205.7(5225)	50.6(1285)	33.9(860)	19.3(490)	5/6	10000(4500)	
	XBC45N430	169.3(4300)	86(2185)	200.8(5100)	217.5(5525)	54.5(1385)	37.8(960)	19.3(490)	5/6	10000(4500)	
	XBC45N450	177.2(4500)	88.6(2250)	208.7(5300)	225.4(5725)	57.1(1450)	40.4(1025)	19.3(490)	5/6	10000(4500)	
	XBC45N470	185(4700)	91.1(2315)	216.5(5500)	233.3(5925)	59.6(1515)	42.9(1090)	19.3(490)	5/6	10000(4500)	
	XBC45N480	189(4800)	93.1(2365)	220.5(5600)	237.2(6025)	61.6(1565)	44.9(1140)	19.3(490)	5/6	9800(4450)	
	XBC45N500	196.9(5000)	97.6(2480)	228.3(5800)	245.1(6225)	66.1(1680)	49.4(1255)	19.3(490)	5/6	9700(4400)	
	XBC45N530	208.7(5300)	101.6(2580)	240.2(6100)	256.9(6525)	70.1(1780)	53.3(1355)	19.3(490)	5/6	9600(4350)	
	XBC45N550	216.5(5500)	105.5(2680)	251.2(6380)	264.8(6725)	74(1880)	57.3(1455)	19.3(490)	5/6	9480(4300)	
	XBC45N600	236.2(6000)	115.6(2935)	273(6935)	284.4(7225)	84.1(2135)	67.3(1710)	19.3(490)	5/6	8820(4000)	

With sideshifter, subtract 770lbs (350kg). With integral sideshifter, subtract 440lbs(200kg).

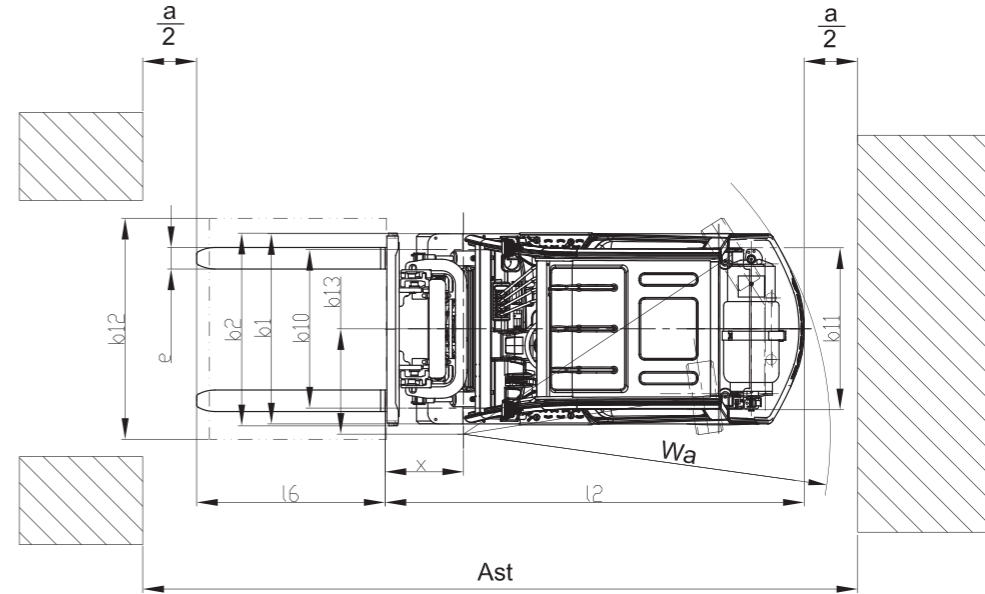
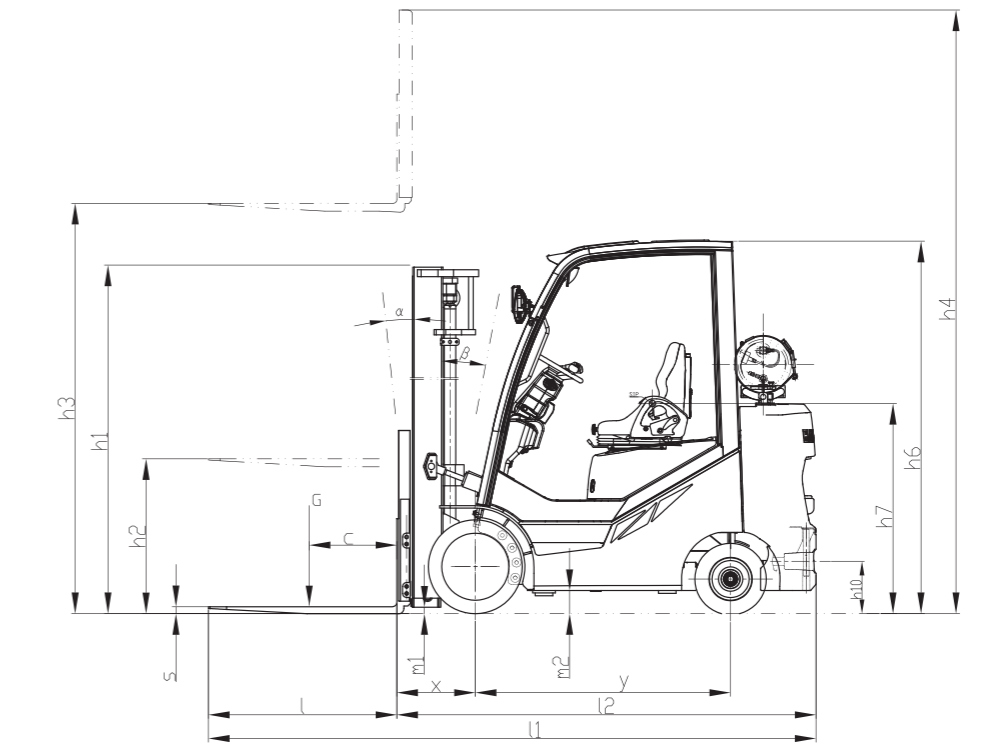
## 12000lbs XF Series Mast:

Type	Model	Max. Fork Height	Overall Height				Free Lift		Front Overhang	Tilt Range F/R	Capacity
			Lowered	Extended		Without Backrest	With Backrest	Load Capacity at 24 in (600mm)			
				Without Backrest	With Backrest						lb(kg)
		in (mm)	in (mm)	in (mm)	in (mm)	in (mm)	in (mm)	in (mm)	(°)	12000lb(5.5t)	
Limited Free Lift 2 Stage Mast	XBC55M250	98.4(2500)	76.4(1940)	130.5(3315)	146.7(3725)	4.7(120)	4.7(120)	18.5(470)	5/6	12000(5500)	
	XBC55M280	110.2(2800)	82.3(2090)	142.3(3615)	158.5(4025)	4.7(120)	4.7(120)	18.5(470)	5/6	12000(5500)	
	XBC55M300	118.1(3000)	86.2(2190)	150.2(3815)	166.3(4225)	4.7(120)	4.7(120)	18.5(470)	5/6	12000(5500)	
	XBC55M330	129.9(3300)	95.3(2420)	162(4115)	178.1(4525)	4.7(120)	4.7(120)	18.5(470)	5/6	12000(5500)	
	XBC55M340	133.9(3400)	97.2(2470)	165.9(4215)	182.1(4625)	4.7(120)	4.7(120)	18.5(470)	5/6	12000(5500)	
	XBC55M350	137.8(3500)	99.2(2520)	169.9(4315)	186(4725)	4.7(120)	4.7(120)	18.5(470)	5/6	12000(5500)	
	XBC55M370	145.7(3700)	103.1(2620)	177.8(4515)	193.9(4925)	4.7(120)	4.7(120)	18.5(470)	5/6	12000(5500)	
	XBC55M400	157.5(4000)	109.1(2770)	189.6(4815)	205.7(5225)	4.7(120)	4.7(120)	18.5(470)	5/6	12000(5500)	
Full Free Lift 3 Stage Mast	XBC55N400	157.5(4000)	82.1(2085)	192.1(4880)	205.7(5225)	47.4(1205)	33.9(860)	19.9(505)	5/6	12000(5500)	
	XBC55N430	169.3(4300)	86(2185)	203.9(5180)	217.5(5525)	51.4(1305)	37.8(960)	19.9(505)	5/6	12000(5500)	
	XBC55N450	177.2(4500)	88.6(2250)	211.8(5380)	225.4(5725)	53.9(1370)	40.4(1025)	19.9(505)	5/6	12000(5500)	
	XBC55N470	185(4700)	91.1(2315)	219.7(5580)	233.3(5925)	56.5(1435)	42.9(1090)	19.9(505)	5/6	12000(5500)	
	XBC55N480	189(4800)	93.1(2365)	223.6(5680)	237.2(6025)	58.5(1485)	41.7(1060)	19.9(505)	5/6	11900(5450)	
	XBC55N500	196.9(5000)	97.6(2480)	231.5(5880)	245.1(6225)	63(1600)	49.4(1255)	19.9(505)	5/6	11685(5300)	
	XBC55N530	208.7(5300)	101.6(2580)	243.3(6180)	256.9(6525)	66.9(1700)	50.2(1275)	19.9(505)	5/6	11355(5150)	
	XBC55N550	216.5(5500)	105.5(2680)	254.3(6460)	264.8(6725)	70.9(1800)	57.3(1455)	19.9(505)	5/6	11250(5100)	
	XBC55N600	236.2(6000)	115.6(2935)	276.2(7015)	284.4(7225)	80.9(2055)	67.3(1710)	19.9(505)	5/6	11000(5000)	

With sideshifter, subtract 990lbs (450kg). With integral sideshifter, subtract 550lbs (250kg).

# XF Series Box Car Special Forklift Specification

Distinguishing Marks	1.1	Manufacturer	HANGCHA GROUP CO.,LTD.			
		HCFA Model	FP35CB	FP45CB	FP55CB	
	1.2	Manufacturer's Type Designation	CPYD35-XW24B-CB	CPYD45-XW24B-CB	CPYD55-XW24B-CB	
	1.3	Drive: electric (battery or mains), diesel, petrol, fuel gas	LPG	LPG	LPG	
Weight	1.4	Operator Type: hand, pedestrian, standing, seated, order-picker	Seated	Seated	Seated	
	1.5	Rated Capacity/Rated Load	Q lb (kg)	8000(3500)	10000(4500)	12000(5500)
	1.6	Load Centre Distance	c in(mm)	24(600)	24(600)	24(600)
Tires, Chassis	1.7	Load Distance, centre of drive axle to fork	x in(mm)	17.7(450)	18.1(460)	18.5(470)
	1.8	Wheelbase	y in (mm)	61.8(1570)	61.8(1570)	70.5(1790)
	2.1	Service Weight	lb(kg)	13230(6000)	15080(6840)	16755(7600)
	2.2	Axle Loading, laden front/rear	lb(kg)	18560/2670(8290/1210)	22060/3020(9970/1370)	25625/3130(11680/1420)
	2.3	Axle Loading, unladen front/rear	lb(kg)	5405/7825(2450/3550)	5290/9790(2400/4440)	6375/10380(2890/4710)
	3.1	Tires: solid rubber, superelastic, pneumatic, polyurethane		Cushion	Cushion	Cushion
Dimensions	3.2	Tire Size, front		22×9-16	22×12-16	22×12-16
	3.3	Tire Size, rear		18×6-12.125	18×8-12.125	18×8-12.125
	3.4	Wheels, number front / rear (x = driven wheels)		2×/2	2×/2	2×/2
	3.5	Tread, front	b10 in (mm)	41(1041)	43.9(1115.2)	43.9(1115.2)
	3.6	Tread, rear	b11 in(mm)	42.3(1074)	44.3(1125)	44.3(1125)
	4.1	Tilt of Mast/Fork Carriage Forward/Backward	α/β (°)	5/6	5/6	5/6
	4.2	Height, mast lowered	h1 in (mm)	86.2(2190)	86.2(2190)	86.2(2190)
	4.3	Free Lift	h2 in(mm)	4.3(110)	4.3(110)	4.7(120)
	4.4	Lift	h3 in (mm)	118.1(3000)	118.1(3000)	118.1(3000)
	4.5	Height, mast extended	h4 in (mm)	166.3(4225)	166.3(4225)	166.3(4225)
	4.6	Height of Overhead Guard	h6 in (mm)	86.5 (2198)	86.5 (2198)	86.5 (2198)
	4.7	Seat Height Relating to SIP	h7 in (mm)	51.1(1299)	51.1(1299)	51.1(1299)
	4.8	Coupling Height	h10 in (mm)	14.6(370)	14.6(370)	14.6(370)
	4.9	Overall Length	l1 in (mm)	138.6(3520)	142.3(3615)	154.3(3920)
	4.10	Length to Face of Forks	l2 in (mm)	96.5(2450)	100.2(2545)	106.3(2700)
	4.11	Overall Width (without backrest)	b1 in(mm)	50(1270)	55.9(1420)	55.9(1420)
	4.12	Fork Dimensions	s/e/l in (mm)	2×4.8×42(50×122×1070)	2×6×42(50×150×1070)	2.4×6×48(60×150×1220)
	4.13	Fork Carriage DIN 15 173 --- ISO 2328, class/type A,B		Class 3A	Class 3A	Class 4A
	4.14	Backrest Width	b2 in (mm)	45.8(1164)	51.7(1314)	51.7(1314)
	4.15	Fork-Carriage Width	b3 in(mm)	43.3(1100)	49.2(1250)	49.2(1250)
	4.16	Distance between Fork-Arms	b5 in (mm)	10-41.3(255-1050)	12.2-47.2(310-1200)	12.2-46.9(310-1190)
4.17	Ground Clearance, laden, below mast	m1 in (mm)	3.1(80)	3.1(80)	3.1(80)	
4.18	Ground Clearance, centre of wheelbase	m2 in (mm)	5.9(149)	5.9(149)	5.9(149)	
4.19.1	Aisle Width for Pallets 39" x 47" Crossways	Ast in (mm)	141.3(3590)	145.3(3690)	151.6(3850)	
4.19.2	Aisle Width for Pallets 31.5" x 47" Lengthways	Ast in (mm)	149.2(3790)	153.1(3890)	159.4(4050)	
4.20	Turning Radius	Wa in(mm)	84.3(2140)	87.8(2230)	93.5(2380)	
4.21	Minimum Plotting Distance	b13 in(mm)	24.3(617)	24.3(617)	25.3(642)	
Performance Data	5.1	Travel Speed, laden/unladen	mph(km/h)	12.2/12.9(19.7/20.8)	12.1/12.8(19.5/20.6)	11.4/12.1(18.3/19.4)
	5.2	Lift Speed, laden/unladen	ft/min(m/s)	104.3/114.2(0.53/0.58)	92.5/102.4(0.47/0.52)	78.7/88.6(0.40/0.45)
	5.3	Lowering Speed, laden/unladen	ft/min(m/s)	98.4/88.6(0.50/0.45)	98.4/88.6(0.50/0.45)	98.4/88.6(0.50/0.45)
	5.4	Drawbar Pull, laden/unladen	N	42000/16500	44000/16500	48000/18400
	5.5	Gradeability, laden/unladen	%	39/16	36/16	34/16
	5.6	Service Brake		Hydraulic	Hydraulic	Hydraulic
	5.7	Parking Brake		Mechanical	Mechanical	Mechanical
Combustion Engine	6.1	Engine Manufacturer/Type		PSI 4.3L LPG CERT	PSI 4.3L LPG CERT	PSI 4.3L LPG CERT
	6.2	Engine Power	hp (kW)	105(77)	105(77)	105(77)
	6.3	Rated Speed	r/min	2300	2300	2300
	6.4	Number of Cylinders/Displacement	(-)/(cm <sup>3</sup> )	6/4294	6/4294	6/4294
	6.5	Generator	A	70	70	70
	6.6	Vehicle Electrical System Voltage	V	12	12	12
	6.7	Battery Voltage/Nominal Capacity	V/Ah	12/60	12/60	12/60
	6.8	Rated Torque	N·m/r/min	332.85/1400	332.85/1400	332.85/1400
	6.9	Transmissions Manufacturer		OKAMURA	OKAMURA	OKAMURA
	6.10	Transmissions Type		Powershift	Powershift	Powershift
	6.11	Stage Fwd/RVS		1/1	1/1	1/1
Additional Data	7.1	Operating Pressure for Attachments	psi(MPa)	2683(18.5)	2683(18.5)	2683(18.5)
	7.2	Hydraulic Tank - Capacity (drain & refill)	gal(liter)	18.5(70)	21.1(80)	26.4(100)
	7.3	Fuel tank Capacity	gal(liter)	NA	NA	NA



$Ast=L6+X+Wa+a$      $a=200$

