



4400-F SERIES



- 25,000 LBS. CAPACITY
- FULL TIME FOUR WHEEL DRIVE
- OUTBOARD PLANETARY DRIVE AXLES
- OIL IMMERSED DISC BRAKES
- HEAVY DUTY POWERSHIFT TRANSMISSION
- SIX CYLINDER EPA COMPLIANT ENGINE
- MODULAR COOLING SYSTEM
- HEAVY DUTY C-THRU ROLLER MASTS
- SUPERIOR OPERATOR VISIBILITY
- CERTIFIED F.O.P.S. STRUCTURE
- FULL RANGE OF ATTACHMENTS AVAILABLE

*4414-25F complete
with sideshifting fork
positioner.*



LOAD LIFTER FEATURES DO WORK FOR YOU

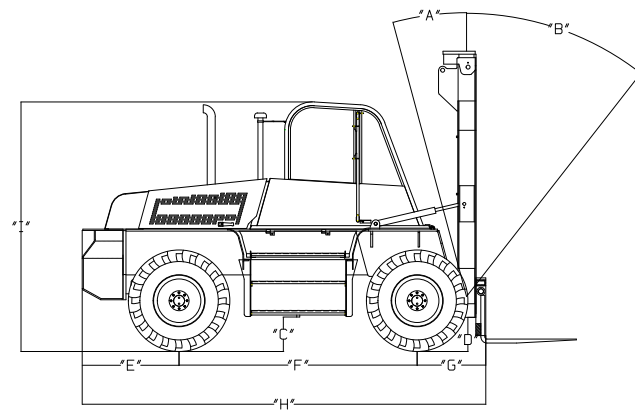
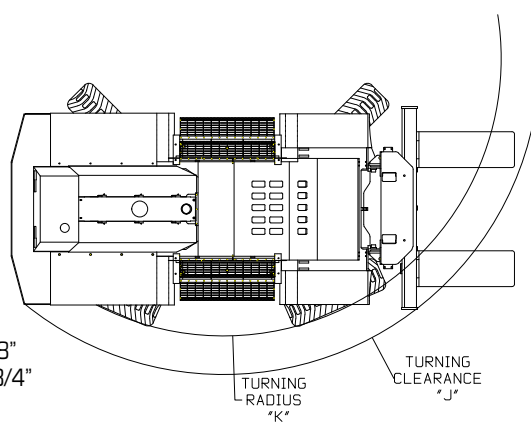
SPECIFICATIONS

MACHINE APROX. WEIGHTS

25,000lb 19,822kg. (43,700 lbs)

MACHINE DIMENSIONS

- A (Tilt Back) 14°
- B (Tilt Forward) 18°
- C (Machine Ground Clearance) 16 3/4"
- D (Mast Ground Clearance) 13 1/2"
- E (Counterweight Overhang) 59 5/8"
- F (Wheelbase) 135"
- G (C/L Drive Axle to Face of Forks) 47 7/8"
- H (Overall Length to Face of Forks) 242 3/4"
- I (Overall Height Top of Cab) 134 1/2"
- J (Turning Clearance) 256"
- K (Turning Radius) 244"
- L (Overall Width) 98"



ENGINE

Make Perkins, 6 Cylinders Turbo Diesel
 Displacement 6.6 Liters (403 cu.in)
 B.H.P. 129.8 K.W. 174 H.P.
 Maximum Torque 695 Nm 514.3 ftlbs
 Rated Speed 2200 RPM

FLUID CAPACITIES

Cooling Systems 15.5 liters (12.2 Quarts)
 Engine Oil 15.1 liters (16 Quarts)
 Fuel 189.5 liters (50 US Gallons)
 Hydraulic Oil 215 liters (56.8 US Gallons)
 Brake Cooling Tank 65 liters (17.17 US Gallons)

TRANSMISSION

Type 4F/4R Speed 32,000 Series Power Shift
 Maximum Speeds
 1. 4.2 km/h (2.6 mph)
 2. 9 km/h (5.6 mph)
 3. 20 km/h (12.5 mph)
 4. 27 km/h (17 mph)

BRAKE

Hydraulic Power Oil Immersed disc brakes

AXLES

Drive/Steer Kessler Outboard
 Planetary 4 Wheel Drive

HYDRAULIC SYSTEM

Pump Tandem Gear Type System
 Full Load Sense Steering Circuit
 Modular Control Valve c/w Tilt Lock System

TIRES

Drive/Steer 25,000 lbs. 1600R25 AIN 46

ELECTRICAL SYSTEM

Volts 12
 Alternator 85 Amp.

STANDARD EQUIPMENT

- 4F/4R Speed 32,000 Series Transmission
- Electric Column Shift
- Tilt & Telescopic Steering Console
- Hydrostatic Power Load Sense Steering
- Safety Start
- Dry Type Air Cleaner
- Retractable Seat Belts
- Height Adjustable Suspension Seat c/w Arm Rests
- Engine Temp
- Engine Oil Pressure
- Fuel Level
- Water Temp.
- Power Brakes
- Murphy Power View Display
- F.O.P.S. Cab
- Hour meter
- Circuit Breakers
- Block Heater
- Heavy Duty Battery
- Anti-Freeze -40°C
- Horn
- Four Work Lights
- Directional signals
- Marker lights
- Reverse lights
- Brake lights
- Transmission De Clutch
- 14' C-Thru Mast
- 60" Shaft Carriage
- 48" Forks

OPTIONAL EQUIPMENT

- Air Ride Swivel Seat
- Mirrors
- Windshield Washer Kit
- Air Conditioning
- Cold Weather Package
- Exhaust Purifier
- High Air intake
- Cyclonic Pre-Cleaner
- Lift Circuit Cushion Accumulator
- Pintle Hook
- Fork Positioners
- Load Grapples
- Hydraulic Bucket
- Full Range of Attachments
- Marine Negative Lift Masts

This information contained herein is general in nature and not intended for specific application purpose. Load Lifter reserves the right to make changes in specifications, make improvements, or discontinue manufacture at any time without notice or obligation.



LOAD LIFTER MANUFACTURING LTD.
 3 Anderson Blvd., Stouffville, Ontario, Canada, L4A 7X4
 Tel. 905-642-9756, Fax. 905-640-1437, www.load-liftermfg.com, info@load-liftermfg.com