



HANGCHA

HC FORKLIFT AMERICA CORPORATION

Company address:

10405-A Granite Street
Charlotte, NC 28273

Toll Free: (888) 652-8395

Phone: (980) 888-8335

Fax: (980) 888-8336

america@hcforklift.com

www.hcforkliftamerica.com



ISO9001
ISO9001:2015



ISO14001
ISO14001:2015

2021 VERSION / COPYRIGHT 2021

HANGCHA GROUP CO., LTD. reserves the right to make any changes without notice concerning colors, equipment, or specifications detailed in this brochure, or to discontinue individual models. The colors of trucks, delivered may differ slightly from those in brochures.



X Series Four-Wheel Electric Cushion Tire Truck

with capacities of 3,000 to 6,500lbs

Making Material Handling Easier
SINCE 1956



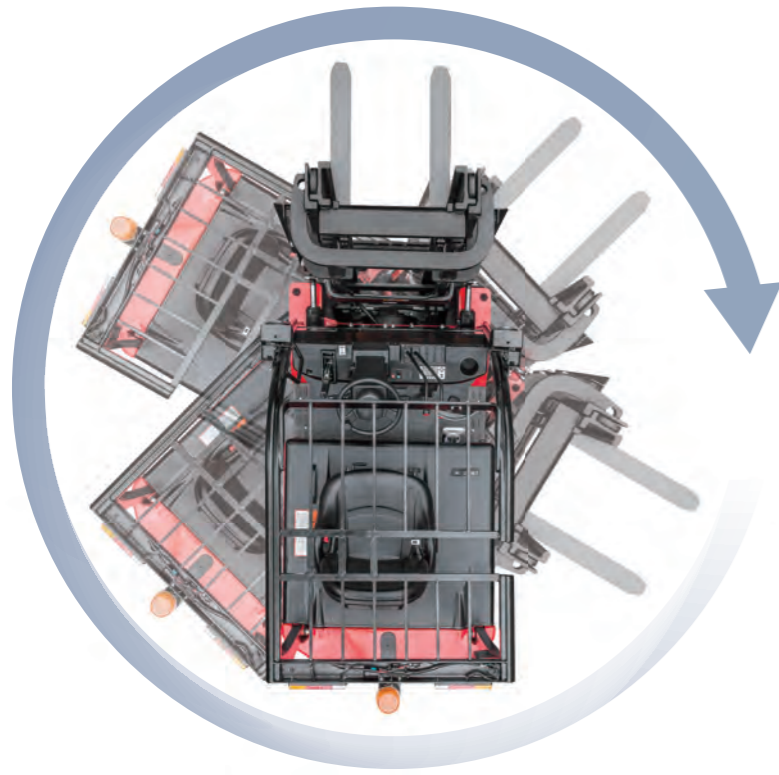
X SERIES 4-WHEEL ELECTRIC CUSHION

APPEARANCE

The X Series Electric Cushion Forklift is designed to be small and flexible while still maintaining a lifting capacity of up to 6,500lbs. This design allows it to be used in narrow aisle applications. The exterior of this forklift is powder coated in a durable, easy to see, red finish.

HIGHLY EFFICIENT

- / The regenerative braking system saves electric energy effectively and increases the operating time between charging.
- / The high-power oil pump motor and large displacement gear pump are used to increase lifting/lowering speed and improve working efficiency.
- / Several speed modes are provided to accommodate different working conditions.



Designed with a small turning radius, the forklift can be operated in narrow aisle environments.





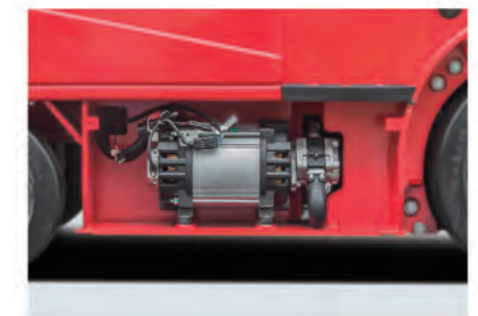
EASY TO MAINTAIN

- / Tool-free removal of baseplate enables easy service and maintenance of various systems.
- / Brake fluid can easily be added by opening a cover on the dashboard and then opening the brake fluid reservoir.



Easy Battery Replacement

The battery compartment is equipped with a side battery removal assembly for easy removal and replacement of the battery.



Easy Access

The innovative dual-door structure enables easy access to the hydraulic pump motor, pump, and the electronic forklift controller. These doors are also designed to be both waterproof and dustproof.



COMFORT

- / The low-vibration, comfortable seat can be adjusted back and forth by 5.9". This combined with the adjustable steering column allows the operator to be able to find their optimal driving position.
- / The rubber & plastic pedal pad allows the operator to keep their footing when safely getting on or off the truck.
- / Power steering provides smooth, responsive operation while isolating vibration and shock.
- / The LCD color monitor instrument display allows the operator to easily and efficiently control the machine. The monitor provides information about speed level, steer angle, travel direction, battery discharge indicator, hour meter, and working mode. The operator can select various performance modes to meet all working conditions.



Advanced LCD Display



CONTROL SYSTEM

- / The MOSFET integrated control system provides accurate control of traveling, fork movement, and adjustment of the performance of the motors. The forklift will also not roll back on a ramp thanks to the controller. The controller, connectors, battery plug, and emergency switch are all parts from industry known suppliers to ensure reliability, performance, and ease of service.



Easy Access Brake Fluid Reservoir



SAFETY



OPS

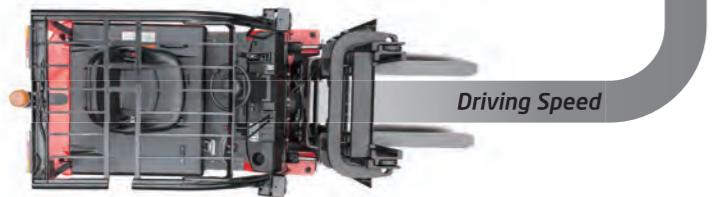
The Operator Presence Sensing (OPS) System will cut off all actions to the mast and running gear of the truck to increase safety when the operator leaves the seat.

Fork Safety Features

- / When the forks are being lowered, a control valve maintains the lowering speed. The lowering safety valve prevents forks from dropping down in case of sudden damage to the hydraulic line.
- / The fork features both electronic and hydraulic overload protection sensors.



When turning, the controller automatically reduces speed to keep the load and forklift stable.



Optional rear grip with a horn button offers an additional safety feature when the operator is reversing the forklift.

STANDARD FEATURES

- / 4 Pre-Set Performance Modes (Super, Power, Economy, SPE)
- / LED Headlamp, Direction Indicator, & LED Rear Combination Lamps
- / Strobe light
- / DC-DC converter
- / Backup Alarm
- / Dual-Spool Multi-Way Valve
- / Load Sensing, On-Demand, AC Controlled Hydraulic Power Steering
- / Smooth Cushion Tires
- / Panoramic Rear View Mirror
- / 27.2" Battery Compartment (3000 - 3500 lb Forklift)
- / 30.5" Battery Compartment (4000 - 5000 lb Forklift)
- / 34.3" Battery Compartment (5000 - 6500 lb Forklift)
- / Limited Free Lift 2 Stage Mast
- / AC Traction Motor
- / AC Pump Motor
- / Operator Presence Sensing System (OPS)

OPTIONS

- / Freezer
- / Blue Light
- / Battery Charger
- / Fire Extinguisher
- / Grammer Integrated Fingertip Control System
- / 12 Volt Power Supply
- / Battery Side Roll Out with Slide or Roller
- / Traction Tires
- / Non-Marking Tires
- / Drive In Rack Overhead Guard
- / Full Suspension Seat
- / Rear Grip with Horn Button
- / Full Free Lift 2 Stage Mast
- / Full Free Lift 3 Stage Mast
- / Other Dimension of Forks
- / Sideshifter
- / Other Accessories



Strong Overhead Guard

Exceeding ANSI and ITSDF regulations, the overhead guard offers great protection and excellent all-around visibility.



Excellent Visibility for Safe Operation

The Wide View Mast provides the operator with optimal forward visibility. The panoramic rear view mirror allows the operator to have wider rear visibility when operating the forklift.



Safety Lamps

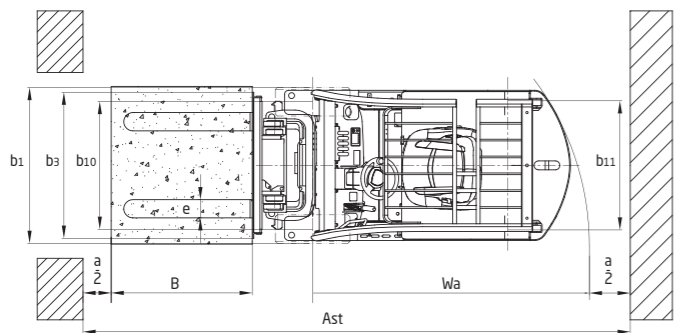
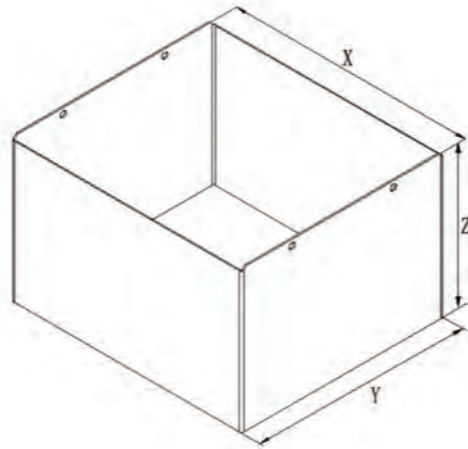
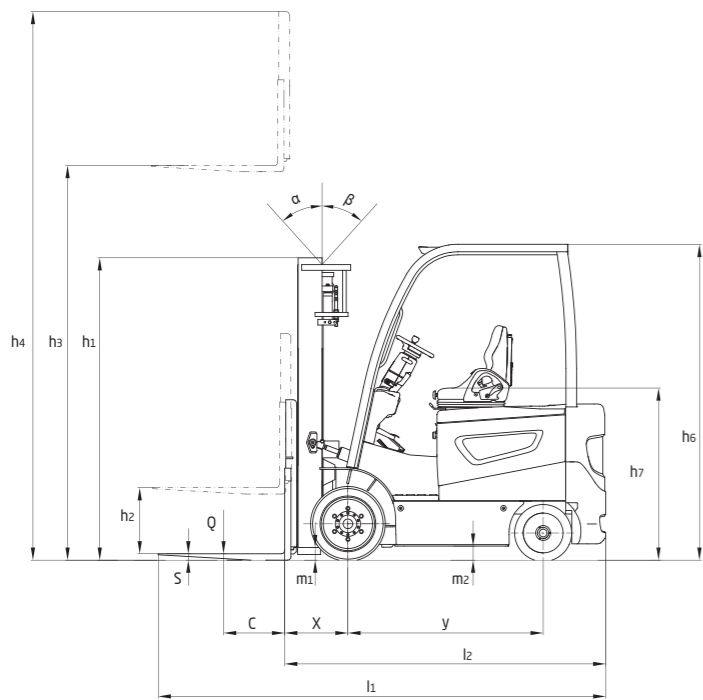
LED headlamps and rear combination tail lamps offer better visibility to the operators and workers around the forklift under various conditions.



X Series 3,000-6,500lb 4-Wheel Electric Cushion Tire Truck Specification

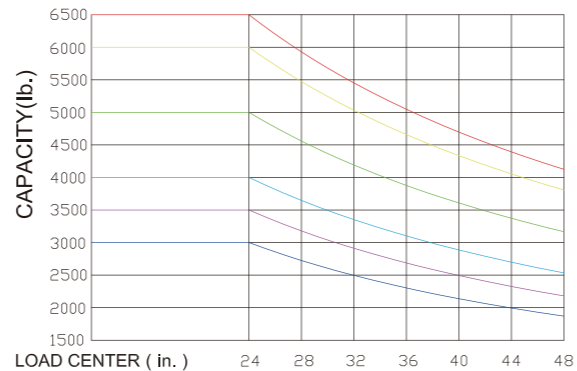
		HANGCHA GROUP CO.,LTD.														
Distinguishing Marks	1.1	Manufacturer	HANGCHA GROUP CO.,LTD.													
		HCFA Model	FB15C		FB18C		FB20C		FB25C		FB25CL		FB30C		FB32C	
	1.2	Model	CPD15-XD2-C		CPD18-XD2-C		CPD20-XD2-C		CPD25-XD2-C		CPD25-XLD2-C		CPD30-XD2-C		CPD32-XD2-C	
	1.3	Power Type: Electric, Gas, Diesel, LPG	V		Electric (36V)	Electric (48V)	Electric (36V)	Electric (48V)	Electric (36V)	Electric (48V)	Electric (36V)	Electric (48V)	Electric (36V)	Electric (48V)	Electric (36V)	Electric (48V)
	1.4	Operation Type	Sit Down		Sit Down		Sit Down		Sit Down		Sit Down		Sit Down		Sit Down	
	1.5	Load Capacity/Rated Load	Q	lb (kg)	3000 (1350)		3500 (1570)		4000 (1810)		5000 (2270)		5000 (2270)		6500 (2950)	
	1.6	Load Centre	c	in (mm)	24 (600)		24 (600)		24 (600)		24 (600)		24 (600)		24 (600)	
	1.7	Load Distance, centre of drive axle to fork	x	in (mm)	15.4 (391)		15.4 (391)		16.8 (427)		16.8 (427)		16.8 (427)		17.7 (450)	
1.8	Wheelbase	y	in (mm)	48 (1220)		48 (1220)		51 (1295)		51 (1295)		54.7 (1390)		54.7 (1390)		
Weight	2.1	Service Weight		lb (kg)	6920 (3140)		7190 (3260)		8928 (4050)		9634 (4370)		9745 (4420)		10695 (4850)	
	2.2	Front Axle Load, laden		lb (kg)	1340 (610)		1430 (650)		11404 (5173)		13126 (5954)		13000 (5900)		15212 (6900)	
	2.3	Rear Axle Load, unladen		lb (kg)	8550 (3880)		9210 (4180)		1933 (877)		2019 (916)		1810 (820)		2094 (950)	
	2.4	Front Axle Load, laden		lb (kg)	2840 (1290)		2910 (1320)		3725 (1690)		3540 (1606)		3820 (1735)		4079 (1850)	
	2.5	Rear Axle Load, unladen		lb (kg)	4090 (1850)		4280 (1940)		5202 (2360)		6093 (2764)		5480 (2485)		6614 (3000)	
Tires & Chassis	3.1	Tires Type			Cushion		Cushion		Cushion		Cushion		Cushion		Cushion	
	3.2	Tire Size, front			18x6x12 -1/8		18x6x12 -1/8		21x7x15		21x7x15		21x8x15		21x8x15	
	3.3	Tire Size, rear			14x5x10		14x5x10		16x5x10-1/2		16x5x10-1/2		16x5x10-1/2		16x6x10-1/2	
	3.4	Number of Wheels, front / rear(x=drive)			2x/2		2x/2		2x/2		2x/2		2x/2		2x/2	
	3.5	Track Width, front	b10	in (mm)	31.9 (810)		31.9 (810)		35 (890)		35 (890)		35.8 (910)		35.8 (910)	
	3.6	Track Width, rear	b11	in (mm)	33.7 (855)		33.7 (855)		36.2 (920)		36.2 (920)		36.2 (920)		36.2 (920)	
	3.7	Track Width, rear	b11	in (mm)	33.7 (855)		33.7 (855)		36.2 (920)		36.2 (920)		36.2 (920)		36.2 (920)	
Dimensions	4.1	Tilt of Mast/Fork Carriage Forward/Backward	α/β	(°)	6/8		6/8		6/8		6/8		6/8		6/8	
	4.2	Height, mast lowered	h1	in (mm)	77.3 (1963.5)		77.3 (1963.5)		77.6 (1970)		77.6 (1970)		77.6 (1970)		77.6 (1970)	
	4.3	Height, mast extended	h4	in (mm)	155.7 (3955)		155.7 (3955)		159.3 (4045)		159.3 (4045)		159.3 (4045)		163.2 (4145)	
	4.4	Free Lift	h2	in (mm)	5.3 (135)		5.3 (135)		5.5 (140)		5.5 (140)		5.5 (140)		5.3 (135)	
	4.5	Lift	h3	in (mm)	118.1 (3000)		118.1 (3000)		118.1 (3000)		118.1 (3000)		118.1 (3000)		118.1 (3000)	
	4.6	Overhead Guard Height	h6	in (mm)	87.6 (2225)		87.6 (2225)		88.6 (2250)		88.6 (2250)		88.6 (2250)		88.6 (2250)	
	4.7	Overall Length	l1	in (mm)	112.2 (2849)		112.2 (2849)		125.6 (3192)		127 (3226)		129.4 (3287)		132.1 (3356)	
	4.8	Length to Fork Face	l2	in (mm)	75.9 (1929)		75.9 (1929)		83.5 (2122)		84.8 (2156)		87.2 (2217)		90 (2286)	
	4.9	Overall Width	b1	in (mm)	38 (964)		38 (964)		42.1 (1070)		42.1 (1070)		42.1 (1070)		43.8 (1113)	
	4.10	Fork Dimensions	s×e×l	in (mm)	1.4×3.9×36.2 (35/100/920)		1.4×3.9×36.2 (35/100/920)		1.6×5×42 (40/125/1070)		1.6×5×42 (40/125/1070)		1.6×5×42 (40/125/1070)		1.8×5×42 (45/125/1070)	
	4.11	Carriage DIN 15 173, class/type AB			IIA		IIA		IIA		IIA		IIA		IIIA	
	4.12	Carriage Width	b3	in (mm)	35.4 (900)		35.4 (900)		40.9 (1038)		40.9 (1038)		40.9 (1038)		43.3 (1100)	
	4.13	Ground Clearance, with load, below mast	m1	in (mm)	3.3 (83.5)		3.3 (83.5)		3.5 (90)		3.5 (90)		3.5 (90)		3.5 (90)	
	4.14	Ground Clearance, center of wheelbase	m2	in (mm)	3.4 (86)		3.4 (86)		3.9 (100)		3.9 (100)		3.9 (100)		3.9 (100)	
	4.15	Aisle width for pallets 39" x 47" crossways	Ast	in (mm)	130 (3300)		130 (3300)		137.6 (3495)		137.6 (3495)		141.9 (3605)		142.5 (3620)	
	4.16	Aisle Width for Pallets 31.5" x 47" lengthways	Ast	in (mm)	137.8 (3500)		137.8 (3500)		145.5 (3695)		145.5 (3695)		149.8 (3805)		150.4 (3820)	
	4.17	Turning Radius, outside	Wa	in (mm)	67.3 (1710)		67.3 (1710)		72.8 (1850)		72.8 (1850)		77.2 (1960)		77.6 (1970)	
Performance Data	5.1	Travel Speed, laden/unladen		mph (km/h)	9.0/9.3 (14.5/15)	10.9/11.2 (17.5/18)	8.7/8.3 (14/15)	10.6/11.2 (17/18)	9.6/10.9 (15.5/17.5)	11.5/11.5 (18.5/18.5)	9.6/10.9 (15.5/17.5)	11.5/11.5 (18.5/18.5)	9.6/10.6 (14.5/17.0)	11.2/11.5 (18/18.5)	9.0/10.6 (14.5/17.0)	11.2/11.5 (18/18.5)
	5.2	Lift Speed, laden/unladen		fpm (mm/s)	61/110 (310/560)	85/142 (430/720)	61/110 (310/560)	81/142 (410/720)	66.9/106.3 (340/540)	88.6/129.9 (450/660)	59.1/106.3 (300/540)	78.7/129.9 (400/660)	59.1/106.3 (300/540)	78.7/129.9 (400/660)	53.1/96.5 (270/490)	69/116.1 (350/590)
	5.3	Lowering Speed, laden/unladen		fpm (mm/s)	98/108 (500/550)		98/108 (500/550)		98.4/98.4 (500/500)		98.4/98.4 (500/500)		98.4/98.4 (500/500)		98.4/98.4 (500/500)	
	5.4	Max. Drawbar Pull, laden/unladen		lbf (N)	2100/1710 (9350/7600)		2080/1680 (9250/7460)		3316/2142 (14750/9530)		3290/2010 (14640/8950)		3290/2560 (14640/11380)		3160/2350 (14070/10440)	
	5.5	Max. Gradeability, laden/unladen		%	20/21		20/21		23/25		19/21		21/24		17/20	
	5.6	Service Brake, operation / control			Pedal / Hydraulic		Pedal / Hydraulic		Pedal / Hydraulic		Pedal / Hydraulic		Pedal / Hydraulic		Pedal / Hydraulic	
	5.7	Parking Brake, operation / control			Hand / Mechanical		Hand / Mechanical		Hand / Mechanical		Hand / Mechanical		Hand / Mechanical		Hand / Mechanical	
	5.8	Steering, type			Hydraulic		Hydraulic		Hydraulic		Hydraulic		Hydraulic		Hydraulic	
Drive	6.1	Traction Motor, 60 minute rating		HP (kW)	14.8 (11)		14.8 (11)		24.1 (18)		24.1 (18)		24.1 (18)		24.1 (18)	
	6.2	Pump Motor, 15 minute rating		HP (kW)	18.4 (13.7)		18.4 (13.7)		24.1 (18)		24.1 (18)		24.1 (18)		24.1 (18)	
	6.3	Battery Voltage		volts	36	48	36	48	36	48	36	48	36	48	36	48
	6.4	Battery Capacity, minimum		Ah/6 hr. rate	630	510	630	510	1020	765	1020	765	1020	765	1190	850
	6.5	Battery Capacity, maximum		Ah/6 hr. rate	800	600	800	600	1320	990	1320	990	1540	1100	1540	1100
	6.6	Battery Weight, minimum		lb (kg)	1940 (880)		1940 (880)		2400 (1088)		2400 (1088)		3000 (1360)		3000 (1360)	
	6.7	Battery Weight, maximum		lb (kg)	2145 (970)		2145 (970)		3154 (1431)		3154 (1431)		3555 (1613)		3555 (1613)	
Other	7.1	Motor Control			MOSFET AC		MOSFET AC		MOSFET AC		MOSFET AC		MOSFET AC		MOSFET AC	
	7.2	Working Pressure for Attachments		psi (bar)	2280 (157)		2280 (157)		2698 (181)		2698 (181)		2698 (181)		2698 (181)	
9.1	Manufacturer			Inmotion		Inmotion		Inmotion		Inmotion		Inmotion		Inmotion		

NOTE: Most values shown in this publication are rounded. Therefore, direct conversion between metric and English or Imperial may be slightly different from those shown. The performance of machines is affected by the condition of the vehicle and how it is equipped as well as the nature and condition of the operating area. If these specifications are critical or if your needs exceed the specifications shown here, discuss the proposed application with your authorized dealer.



$A_{st} = B + W_a + x + a$
 B: Load Length a: Clearance (7.9inch)

Load curve



Battery and Compartment Size

Model		FB15C	FB18C	FB20C	FB25C	FB25CL	FB30C	FB32C
Voltage		36/48		36/48		36/48		36/48
Capacity		800/600		1320/990		1540/1100		1190/850
Battery Compartment	"X" Max.	34.57 (878)		38.58 (980)		38.58 (980)		33.90 (861)
	"Y" Max.	26.77 (680)		30.16 (766)		30.16 (766)		23.82 (605)
	"Z" Max.	23.82 (605)		23.82 (605)		23.82 (605)		31.54 (1431)
Battery Weight	Maximum	2145 (970)		2145 (970)		3154 (1431)		3555 (1613)
	Minimum	1940 (880)		2400 (1088)		3000 (1360)		3000 (1360)

4,000-5,000lb Mast:

Type	Model	Lifting Height	Overall Height				Free Lifting Height		Front Overhang	Tilting Range		Capacity		
			Lowered	Extended		With Backrest	Without Backrest	Forward		Backward	Load Capacity at 24 in (600mm)			
				With Backrest	Without Backrest						4000lb	5000lb	5000lb LW	
		in(mm)	in(mm)	in(mm)	in(mm)	in(mm)	in(mm)	in(mm)	deg	deg	lb(kg)	lb(kg)	lb(kg)	
Limited Free Lift 2 Stage Mast	XC25M200	78.7(2000)	57.9 (1470)	119.9 (3046)	105.9(2692)	5.5 (140)	5.5 (140)	16.8(427)	6	8	4000(1810)	5000(2270)	5000(2270)	
	XC25M250	98.4(2500)	67.7 (1720)	139.6 (3546)	125.6(3192)	5.5 (140)	5.5 (140)	16.8(427)	6	8	4000(1810)	5000(2270)	5000(2270)	
	XC25M270	106.3(2700)	71.7 (1820)	147.5 (3746)	133.5(3392)	5.5 (140)	5.5 (140)	16.8(427)	6	8	4000(1810)	5000(2270)	5000(2270)	
	XC25M300	118.1(3000)	77.6 (1970)	159.3 (4046)	145.3(3692)	5.5 (140)	5.5 (140)	16.8(427)	6	8	4000(1810)	5000(2270)	5000(2270)	
	XC25M330	129.9(3300)	83.5 (2120)	171.1 (4346)	157.1(3992)	5.5 (140)	5.5 (140)	16.8(427)	6	8	4000(1810)	5000(2270)	5000(2270)	
	XC25M350	137.8(3500)	87.4 (2220)	179 (4546)	165(4192)	5.5 (140)	5.5 (140)	16.8(427)	6	8	4000(1810)	5000(2270)	5000(2270)	
	XC25M360	141.7(3600)	91.3 (2320)	182.9 (4646)	168.9(4292)	5.5 (140)	5.5 (140)	16.8(427)	6	8	4000(1810)	5000(2270)	5000(2270)	
	XC25M370	145.7(3700)	93.3(2370)	186.9(4746)	172.9(4392)	5.5 (140)	5.5 (140)	16.8(427)	6	8	4000(1810)	5000(2270)	5000(2270)	
	XC25M400	157.5(4000)	101.2 (2570)	198.7 (5046)	184.7(4692)	5.5 (140)	5.5 (140)	16.8(427)	6	8	4000(1810)	5000(2270)	5000(2270)	
	XC25M430	169.3(4300)	107.1 (2720)	210.5 (5346)	196.5(4992)	5.5 (140)	5.5 (140)	16.8(427)	6	6	4000(1810)	5000(2270)	5000(2270)	
XC25M450	177.2(4500)	111 (2820)	218.3 (5546)	204.4(5192)	5.5 (140)	5.5 (140)	16.8(427)	6	6	3920(1780)	4910(2230)	4910(2230)		
XC25M480	189(4800)	116.9 (2970)	230.2 (5846)	216.2(5492)	5.5 (140)	5.5 (140)	16.8(427)	6	6	3810(1730)	4760(2160)	4760(2160)		
XC25M500	196.9(5000)	120.9 (3070)	238 (6046)	224(5692)	5.5 (140)	5.5 (140)	16.8(427)	6	6	3670(1665)	4580(2080)	4580(2080)		
Full Free Lift 2 Stage Mast	XC25U200	78.7(2000)	57.8(1470)	119.9 (3046)	103.2(2622)	16.6(424)	33.3(848)	16.8(427)	6	8	4000(1810)	5000(2270)	5000(2270)	
	XC25U250	98.4(2500)	67.7(1720)	139.6 (3546)	122.9(3122)	26.5(674)	43.2(1098)	16.8(427)	6	8	4000(1810)	5000(2270)	5000(2270)	
	XC25U270	106.3(2700)	71.6(1820)	147.5 (3746)	130.7(3322)	30.4(774)	47.1(1198)	16.8(427)	6	8	4000(1810)	5000(2270)	5000(2270)	
	XC25U300	118.1(3000)	77.5(1970)	159.3 (4046)	142.5(3622)	36.3(924)	53(1348)	16.8(427)	6	8	4000(1810)	5000(2270)	5000(2270)	
	XC25U330	129.9(3300)	83.4(2120)	171.1 (4346)	154.4(3922)	42.2(1074)	58.9(1498)	16.8(427)	6	8	4000(1810)	5000(2270)	5000(2270)	
	XC25U350	137.8(3500)	87.4(2220)	179 (4546)	162.2(4122)	46.2(1174)	62.9(1598)	16.8(427)	6	8	4000(1810)	5000(2270)	5000(2270)	
	XC25U360	141.7(3600)	87.4(2220)	182.9 (4646)	166.2(4222)	48.1(1224)	64.8(1648)	16.8(427)	6	8	4000(1810)	5000(2270)	5000(2270)	
	XC25U370	145.7(3700)	91.3(2320)	186.9(4746)	170.1(4322)	50.1(1274)	66.8(1698)	16.8(427)	6	8	4000(1810)	5000(2270)	5000(2270)	
	XC25U400	157.5(4000)	99.2(2520)	198.7 (5046)	181.9(4622)	58(1474)	74.7(1898)	16.8(427)	6	8	4000(1810)	5000(2270)	5000(2270)	
	XC25N400	157.5(4000)	73.6(1870)	198.7 (5046)	181.9(4622)	32.4(824)	49.1(1248)	16.9(431)	6	6	4000(1810)	5000(2270)	5000(2270)	
Full Free Lift 3 Stage Mast	XC25N430	169.3(4300)	77.5(1970)	210.5 (5346)	193.7(4922)	36.3(924)	53(1348)	16.9(431)	6	6	4000(1810)	5000(2270)	5000(2270)	
	XC25N450	177.2(4500)	79.5(2020)	218.3 (5546)	201.6(5122)	38(974)	55(1398)	16.9(431)	6	6	3900(1770)	4890(2220)	4890(2220)	
	XC25N480	189(4800)	83.4(2120)	230.2 (5846)	213.4 (5422)	42.2(1074)	58.9(1498)	16.9(431)	6	6	3790(1720)	4740(2150)	4740(2150)	
	XC25N500	196.9(5000)	86.4(2195)	238 (6046)	221.3(5622)	45.2(1149)	61.9(1573)	16.9(431)	3	6	3640(1655)	4540(2060)	4540(2060)	
	XC25N550	216.5(5500)	93.3(2370)	257.7 (6546)	241(6122)	52.1(1324)	68.8(1748)	16.9(431)	3	6	3240(1470)	4050(1840)	4050(1840)	
	XC25N600	236.2(6000)	101.1(2570)	277.4 (7046)	260.7(6622)	60(1524)	76.6(1948)	16.9(431)	3	6	2240(1020)	3000(1360)	3000(1360)	

With hang on sideshifter, subtract 400lb (200kg). With integral sideshifter, subtract 200lb (100kg).

3,000-3,500lb Mast:

Type	Model	Lifting Height	Overall Height				Free Lifting Height		Front Overhang	Tilting Range		Capacity	
			Lowered	Extended		With Backrest	Without Backrest	Forward		Backward	Load Capacity at 24 in (600mm)		
				With Backrest	Without Backrest						3000lb	3500lb	
		in(mm)	in(mm)	in(mm)	in(mm)	in(mm)	in(mm)	in(mm)	deg	deg	lb(kg)	lb(kg)	
Limited Free Lift 2 Stage Mast	XC15M200	78.7(2000)	57.6(1463.5)	116.3(2955)	99.7(2533)	5.3(135)	5.3(135)	15.4(391)	6	6	3000(1350)	3500(1570)	
	XC15M250	98.4(2500)	67.5(1713.5)	136(3455)	119.4(3033)	5.3(135)	5.3(135)	15.4(391)	6	8	3000(1350)	3500(1570)	
	XC15M270	106.3(2700)	71.4(1813.5)	143.9(3655)	127.3(3233)	5.3(135)	5.3(135)	15.4(391)	6	8	3000(1350)	3500(1570)	
	XC15M300	118.1(3000)	77.3(1963.5)	155.7(3955)	139.1(3533)	5.3(135)	5.3(135)	15.4(391)	6	8	3000(1350)	3500(1570)	
	XC15M330	129.9(3300)	83.2(2113.5)	167.5(4255)	150.9(3833)	5.3(135)	5.3(135)	15.4(391)	6	8	3000(1350)	3500(1570)	
	XC15M350	137.8(3500)	87.1(2213.5)	175.4(4455)	158.8(4033)	5.3(135)	5.3(135)	15.4(391)	6	8	3000(1350)	3500(1570)	
	XC15M360	141.7(3600)	91.1(2313.5)	179.3(4555)	162.7(4133)	5.3(135)	5.3(135)	15.4(391)	6	8	3000(1350)	3500(1570)	
	XC15M370	145.7(3700)	93.1(2363.5)	183.3(4655)	166.7(4233)	5.3(135)	5.3(135)	15.4(391)	6	8	3000(1350)	3500(1570)	
	XC15M400	157.5(4000)	100.9(2563.5)	195.1(4955)	178.5(4533)	5.3(135)	5.3(135)	15.4(391)	6	8	3000(1350)	3500(1570)	
	XC15M430	169.3(4300)	106.8(2713.5)	206.9(5255)	190.3(4833)	5.3(135)	5.3(135)	15.4(391)	6	6	3000(1350)	3500(1570)	
Full Free Lift 2 Stage Mast	XC15M450	177.2(4500)	110.8(2813.5)	214.8(5455)	198.1(5033)	5.3(135)	5.3(135)	15.4(391)	6	6	2860(1300)	3260(1480)	
	XC15M480	189(4800)	116.7(2963.5)	226.6(5755)	210(5333)	5.3(135)	5.3(135)	15.4(391)	6	6	2690(1220)	3080(1400)	
	XC15M500	196.9(5000)	120.6(3063.5)	234.4(5955)	217.8(5533)	5.3(135)	5.3(135)	15.4(391)	6	6	2420(1100)	2860(1300)	
	XC15U200	78.7(2000)	57.6(1463.5)	115.9(2945)	99.8(2535)	20.4(518.5)	36.6(928.5)	15.4(391)	6	6	3000(1350)	3500(1570)	
	XC15U250	98.4(2500)	67.5(1713.5)	135.6(3445)	119.5(3035)	30.3(768.5)	46.4(1178.5)	15.4(391)	6	8	3000(1350)	3500(1570)	
	XC15U270	106.3(2700)	71.4(1813.5)	143.5(3645)	127.4(3235)	34.2(868.5)	50.3(1278.5)	15.4(391)	6	8	3000(1350)	3500(1570)	
	XC15U300	118.1(3000)	77.3(1963.5)	155.3(3945)	139.2(3535)	40.1(1018.5)	56.2(1428.5)	15.4(391)	6	8	3000(1350)	3500(1570)	
	XC15U330	129.9(3300)	83.2(2113.5)	167.1(4245)	151(3835)	46(1168.5)	62.1(1578.5)	15.4(391)	6	8	3000(1350)	3500(1570)	
	XC15U350	137.8(3500)	87.1(2213.5)	175(4445)	158.9(4035)	49.9(1268.5)	66.1(1678.5)	15.4(391)	6	8	3000(1350)	3500(1570)	
	XC15U360	141.7(3600)	89.1(2263.5)	178.9(4545)	162.8(4135)	51.9(1318.5)	68.1(1728.5)	15.4(391)	6	8	3000(1350)	3500(1570)	
Full Free Lift 3 Stage Mast	XC15U370	145.7(3700)	91.1(2313.5)	182.9(4645)	166.7(4235)	53.9(1368.5)	70(1778.5)	15.4(391)	6	8	3000(1350)	3500(1570)	
	XC15U400	157.5(4000)	99(2513.5)	194.7(4945)	178.5(4535)	61.8(1568.5)	77.9(1978.5)	15.4(391)	6	8	3000(1350)	3500(1570)	
	XC15N400	157.5(4000)	73.4(1863.5)	195.1(4955)	179.1(4550)	36.2(918.5)	52.1(1323.5)	15.7(399)	6	6	3000(1350)	3500(1570)	
	XC15N430	169.3(4300)	77.3(1963.5)	206.9(5255)	190.9(4850)	40.1(1018.5)							